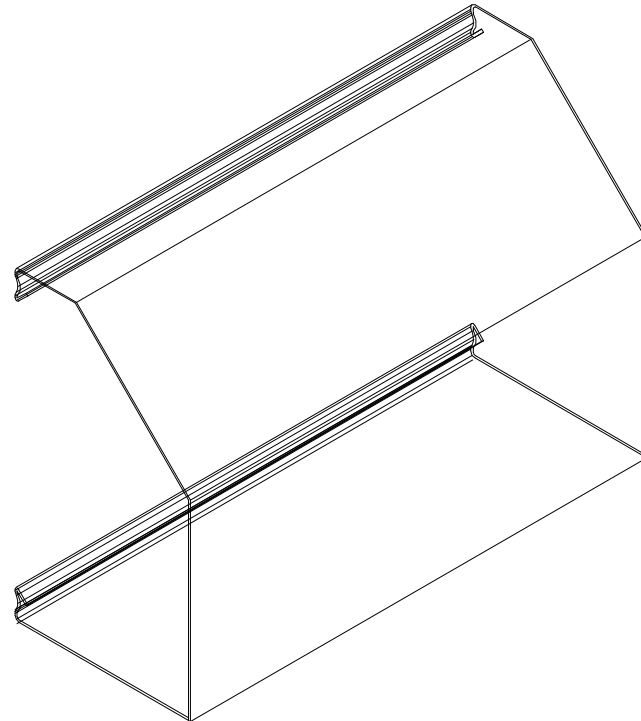
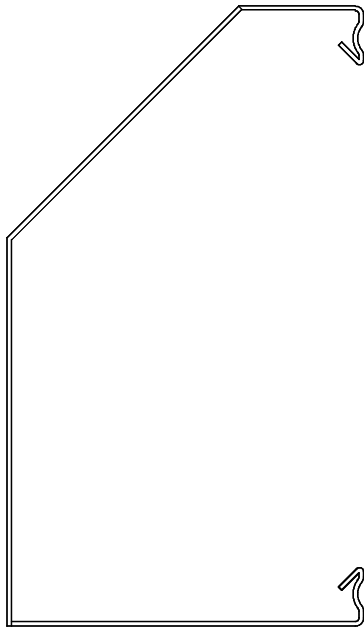


# Soffi-Steel® System Slope Top



JG Innovations, Inc.

Slope Top

Drawn By: S.P.S.

**The Soffi-Steel System is protected by  
patent number 5,526,617; other patents pending.**